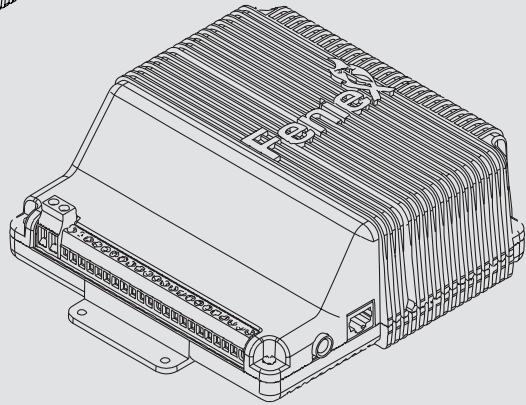
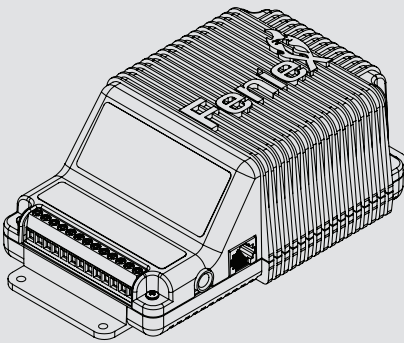


Storm Pro- Instruction Manual

V.2



STORM PRO

Model # - C-4014, C-4015

This instruction manual serves as a guide for the **Storm Pro**.

IMPORTANT! Please read through all provided instructions and any listed warnings in regards to product use.



Fenix Product Copyrights This price List and the mentioned Fenix products include or describe copyrighted Fenix material. Laws in the United States and other countries preserve for Fenix Industries and its licensors certain exclusive rights for copyrighted material, including the exclusive right to copy, reproduce in any form, distribute and make derivative works of the copyrighted material. Accordingly, any copyrighted material of Fenix and its licensors contained herein or in the Fenix products described in the Price List may not be copied, reproduced, distributed, merged or modified, transmitted, transcribed, stored in retrieval system or translated into any language or computer language, in any form or by any means, without prior written permission of Fenix Industries, Inc. Fenix and the stylized Fenix logo are registered in the U.S. Patent & Trademark Office.

Safety Regulations	3
Warranty	3
Service after Expiration.....	3
Copyright	3
Feniex Product Copyright.....	3
Content Diagram	
100W.....	4
200W.....	5
Mounting Instructions	
100W.....	6
200W.....	7
Wiring Instructions	8
Wiring Diagram	
100W.....	9 - 10
200W.....	11
Cycling the Patterns: 200W	12
Adjusting the Power Input: 100W	13

Safety Regulations

The following provides all the information necessary to safely operate the previously listed products of Feniex Industries, Inc. Please read this manual thoroughly before installing or operating your new product in order to prevent any damage or injury. Failure to follow the listed instructions in this manual may result in damage to your products or personal injury.

- Proper installation of this product requires good knowledge of automotive systems, electronics and procedures.
- Please guarantee all vital components of the vehicle are not in danger of being damaged by drilling holes necessary for installation. Check all sides of the mounting surface before drilling any holes into the vehicle.
- Do not install this product in any way that interferes with the deployment of the air bag. Doing so may damage the effectiveness of the air bag and can lead to serious personal and vehicle injury. The installer will assume full responsibility of proper installation of the new unit.
- Please clean the mounting surface before installation of the unit when using tape, brackets, magnet, Velcro or suction cups.
- The product's ground wire must be connected directly to the Negative (-) battery post for effective use of the unit. Please follow all wiring guidelines provided to guarantee long lifespan and productivity. Failing to follow these instructions may result in damage to the product.

Warranty

Feniex Industries, Inc. warrants to the original purchaser that the product shall be free from defects in material and workmanship for sixty (60) months from the date of purchase for all LED products. Feniex Industries warranties speakers, sirens and controllers for 24 months; switches and flashers for 12 months.

If a warranty problem occurs, please contact customer support at 1.800.615.8350 or visit the web site at www.Feniex.com. If the product needs to be returned for repair or replacement, call our customer support line to receive a return merchandise authorization number.

Operational times are from 10 a.m. to 5 p.m. central time, Monday through Friday. Please do not send in product without contacting support first for a RMA number.

Service After Expiration

Feniex Industries will still provide service for all products after expiration of the warranty. For any issues, call the customer support line. In some instances it may be necessary for the product to be shipped, freight prepaid and insured for loss or damage to Feniex headquarters.

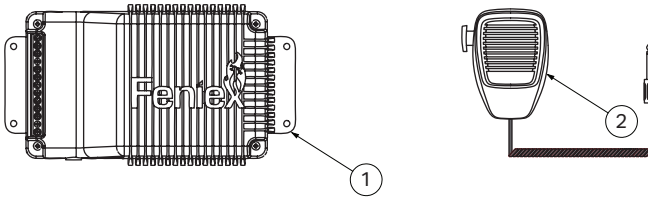
Warning! Utilizing non-factory screws and mounting brackets may result in loss of warranty coverage.

Copyright

This instruction manual and the Feniex products described in this instruction manual may include or describe copyrighted Feniex material. Laws in the United States and other countries preserve for Feniex Industries and its licensors certain exclusive rights for copyrighted material, including the exclusive right to copy, reproduce in any form, distribute and make derivative works of the copyrighted material. Accordingly, any copyrighted material of Feniex and its licensors contained herein or in the Feniex products described in this instruction manual may not be copied, reproduced, distributed, merged or modified in any manner without the express written permission of Feniex Industries, Inc.

Feniex Product Copyrights

The products described in this document are the property of Feniex Industries, Inc. It is furnished by express license agreement only and may be used only in accordance with the terms of such an agreement. Products and documentation are copyrighted materials. Making unauthorized copies is prohibited by law. No part of the product or documentation may be reproduced, transmitted, transcribed, stored in retrieval system or translated into any language or computer language, in any form or by any means, without prior permission from Feniex Industries, Inc.

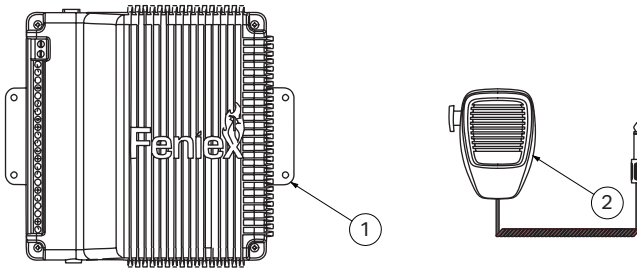


1 Storm Pro 100W Siren System Specification:

Input Voltage:	12V DC
Temperature Range:	-20°C to +50°C
Max Current:	8.5A
Stand By Current:	Less than 30mA
Power Output:	100W
Main Fuse:	20A
Feature 1:	Horn Ring
Feature 2:	Park Kill
Feature 3:	Radio Rebroadcast
Wail:	725 to 1500 Hz (12 cycles/min.)
Yelp:	725 to 1600 Hz (180 cycles/min.)
Fast Yelp:	725 to 1600 Hz (360 cycles/min.)
Phaser:	650 to 1725 Hz (800 cycles/min.)
Hi-Lo:	550 to 750 Hz (30 cycles/min.)
Manual Wail:	725 to 1500 Hz
Horn:	Composite
Speaker Impedance:	11 Ohm
Output Voltage:	35V RMS
Audio Bandwith:	300 to 10,000 Hz at 25 Watts
Audio Distortion:	1% at 25 Watts
Housing:	Aluminum
Speaker Overload Protection	Turn off for 5 seconds then Auto Restart

2 Storm Pro Microphone System Specification:

Cable Length:	15 feet
Housing:	Reinforced PC



1 Storm Pro 200W Siren System Specification:

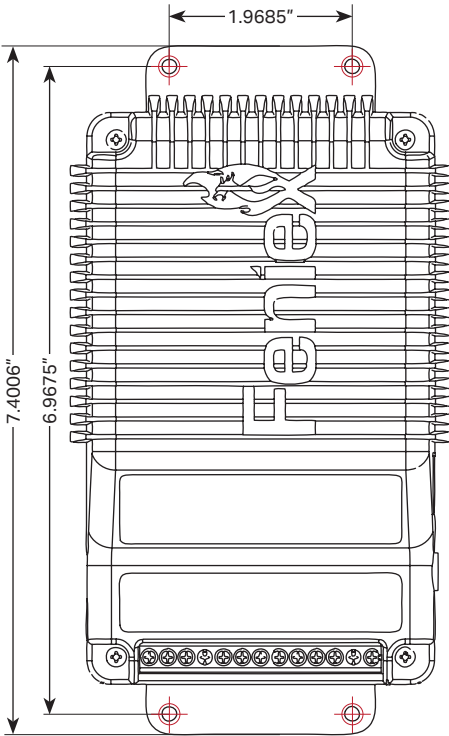
Input Voltage:	12V DC
Temperature Range:	-20°C to +50°C
Max Current:	16A
Stand By Current:	Less than 30mA
Power Output:	100W per Speaker, 200W Total
Main Fuse:	20A
Feature 1:	Horn Ring
Feature 2:	Park Kill
Feature 3:	Radio Rebroadcast
Feature 4:	Dual Tone Capable
Feature 5:	Dual Tone Delay Start
Feature 6:	10+ Programmable Tones
Wail:	725 to 1500 Hz (12 cycles/min.)
Yelp:	725 to 1600 Hz (180 cycles/min.)
Fast Yelp:	725 to 1600 Hz (360 cycles/min.)
Phaser:	650 to 1725 Hz (800 cycles/min.)
Hi-Lo:	550 to 750 Hz (30 cycles/min.)
Manual Wail:	725 to 1500 Hz
Horn:	Composite
Speaker Impedance:	11 Ohm
Output Voltage:	35V RMS
Audio Bandwith:	300 to 10,000 Hz at 25 Watts
Audio Distortion:	1% at 25 Watts
Housing:	Aluminum
Speaker Overload Protection	Turn off for 5 seconds then Auto Restart

2 Storm Pro Microphone System Specification:

Cable Length:	15 feet
Housing:	Reinforced PC

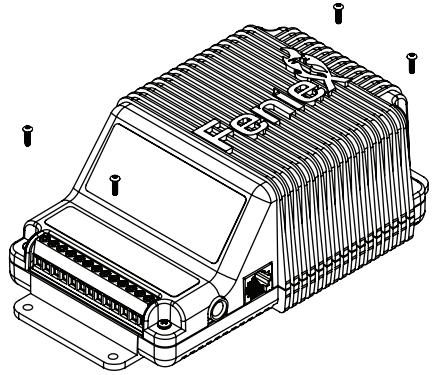
Mounting Instructions:

- 1.) Place the unit against the intended mounting surface.
- 2.) Mark the areas where the mounting holes will be drilled. If the mounting surface is part of the vehicle, make sure no vital components could be damaged by the drilling process.

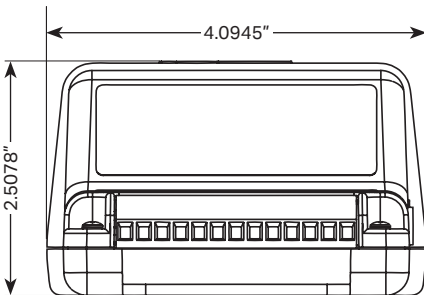


3.) Drill four 4mm mounting holes on the mounting surface, making sure no vital components of the surface are damaged.

4.) Make sure to deburr the holes thoroughly.

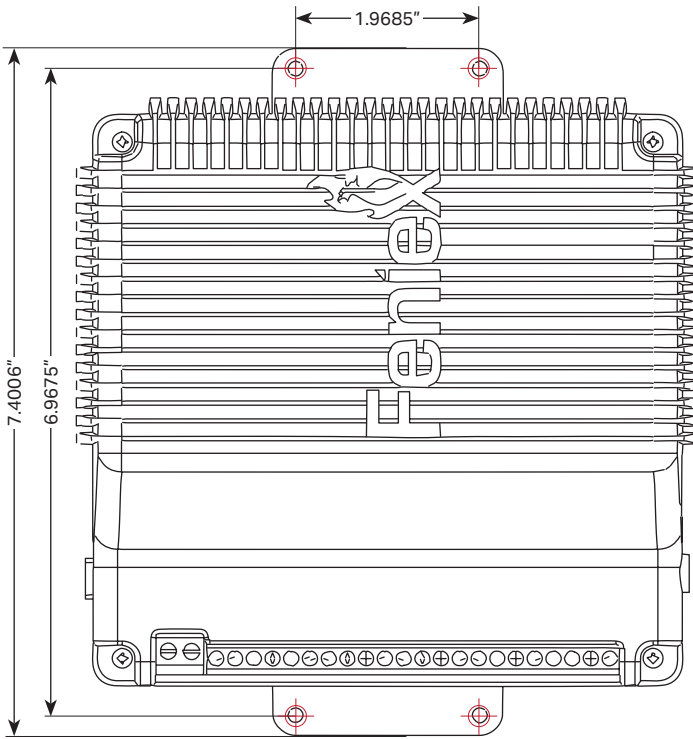


5.) Using customer provided screws, secure the Storm Siren Pro to the mounting surface.

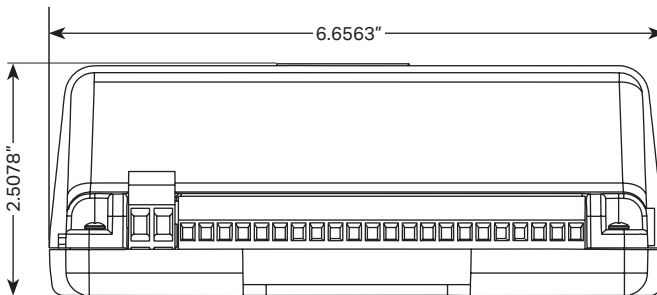


Mounting Instructions:

- 1.) Place the unit against the intended mounting surface.
- 2.) Mark the areas where the mounting holes will be drilled. If the mounting surface is part of the vehicle, make sure no vital components could be damaged by the drilling process.



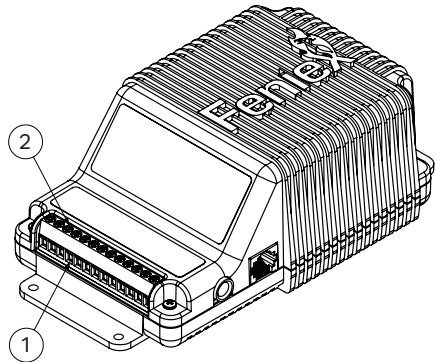
- 3.) Drill four 4mm mounting holes on the mounting surface, making sure no vital components of the surface are damaged.
- 4.) Make sure to deburr the holes thoroughly.
- 5.) Using customer provided screws, secure the Storm Siren Pro to the mounting surface.



Wiring the Storm Pro Siren

Step 1: Place the user-provided wire in the desired terminal block input.

Step 2: Secure the wire with a screwdriver.

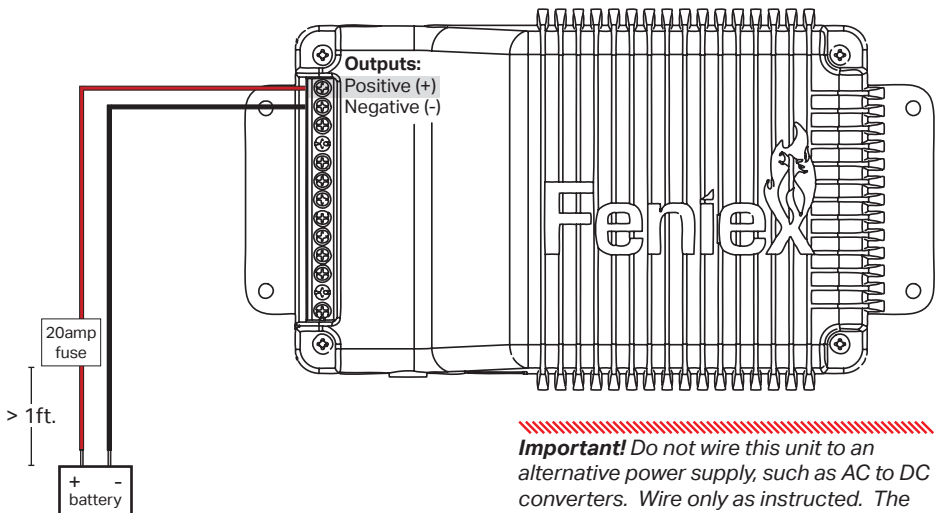


Powering the Storm Pro Siren

Step 1: Secure a user-provided red wire to the positive output with a screwdriver. Follow the same process with a black wire into the negative output.

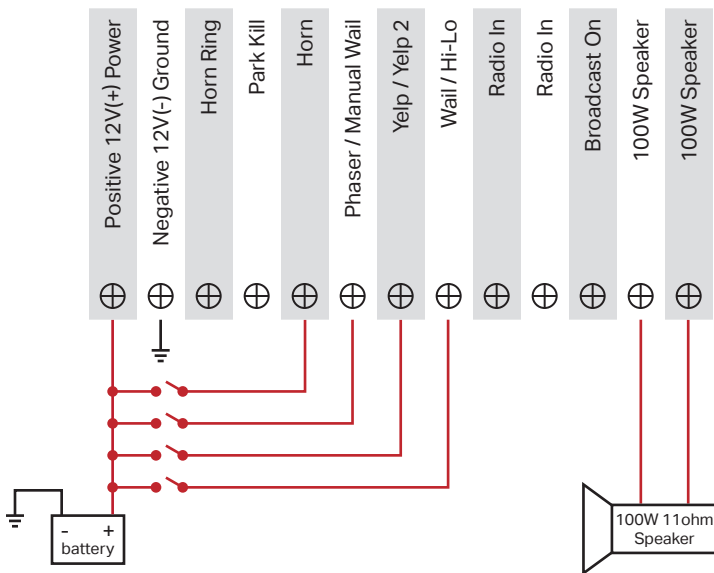
Step 2: To activate the unit, extend the red, 12V(+) wire to the 12V(+) post of the vehicle's battery. Extend the black, 12V(-) wire to the ground post of the vehicle's battery or chassis.

Important! Install a 20 amp fuse (user supplied) to the end of the red, 12V(+) wire. Do not use a circuit breaker or fusible link. Do not insert the fuse until the opposite end of the fuse holder is connected to the vehicle battery. Install the fuse less than 1' from the battery.



Important! Do not wire this unit to an alternative power supply, such as AC to DC converters. Wire only as instructed. The red, 12V(+) wire should only connect to the vehicle's battery or to a 12V(+) switch post. Failure to do so may damage the unit and void warranty.

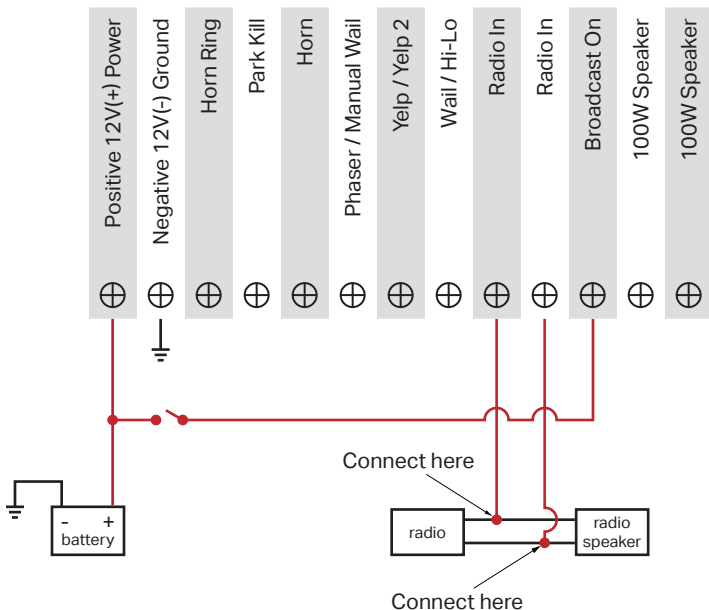
Activate Siren Tones (see page 13 to change default siren tone):



Activating the Siren Tones:

1. Extend the red, 12V(+) wire to the (+) post of the vehicle's battery. Extend the black, 12V(-) wire to ground.
2. Connect the Horn, Phaser, Yelp, and/ or Wail outputs to the red, 12V(+) wire to activate the function(s).
3. Connect both 100W speaker outputs to a 100W, 110hm speaker (user provided).

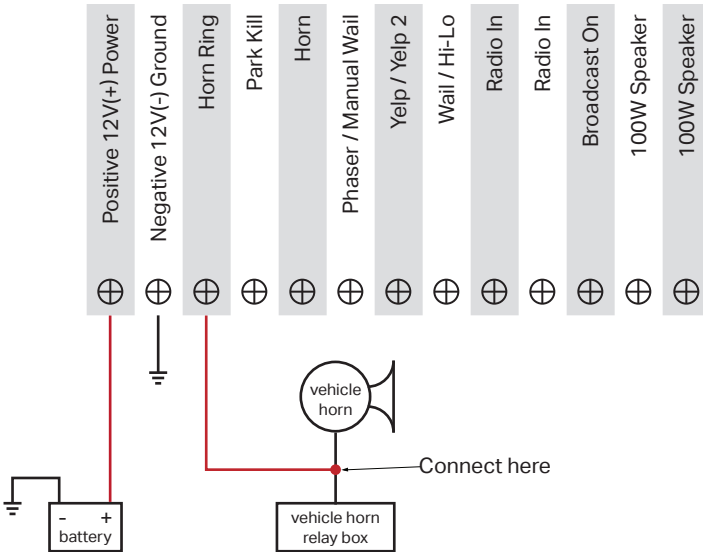
Install Radio Rebroadcast:



Activating Radio Rebroadcast:

1. Extend the red, 12V(+) wire to the (+) post of the vehicle's battery. Extend the black, 12V(-) wire to ground.
2. Connect the Broadcast On input to the red, 12V(+) wire to activate.
3. Connect both Radio In outputs to the radio and speaker wires.

Activate Horn Ring:

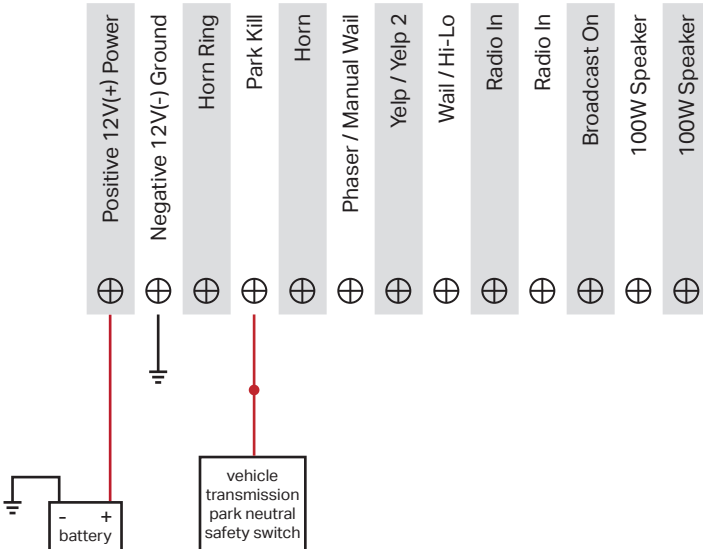


Activating Horn Ring:

1. Extend the red, 12V(+) wire to the (+) post of the vehicle's battery. Extend the black, 12V(-) wire to ground.

2. Connect the Horn Ring input to the output of the vehicle relay box. Depending on the device, this could be the positive, the negative, or the control wire (see page 9 for adjusting the power input).

Activate Park Kill:



Activating Park Kill Mode:

1. Extend the red, 12V(+) wire to the (+) post of the vehicle's battery. Extend the black, 12V(-) wire to ground.

2. Connect the Park Kill input to the vehicle's transmission park neutral safety switch by determining which wire is the enable wire for the device to be switched on.

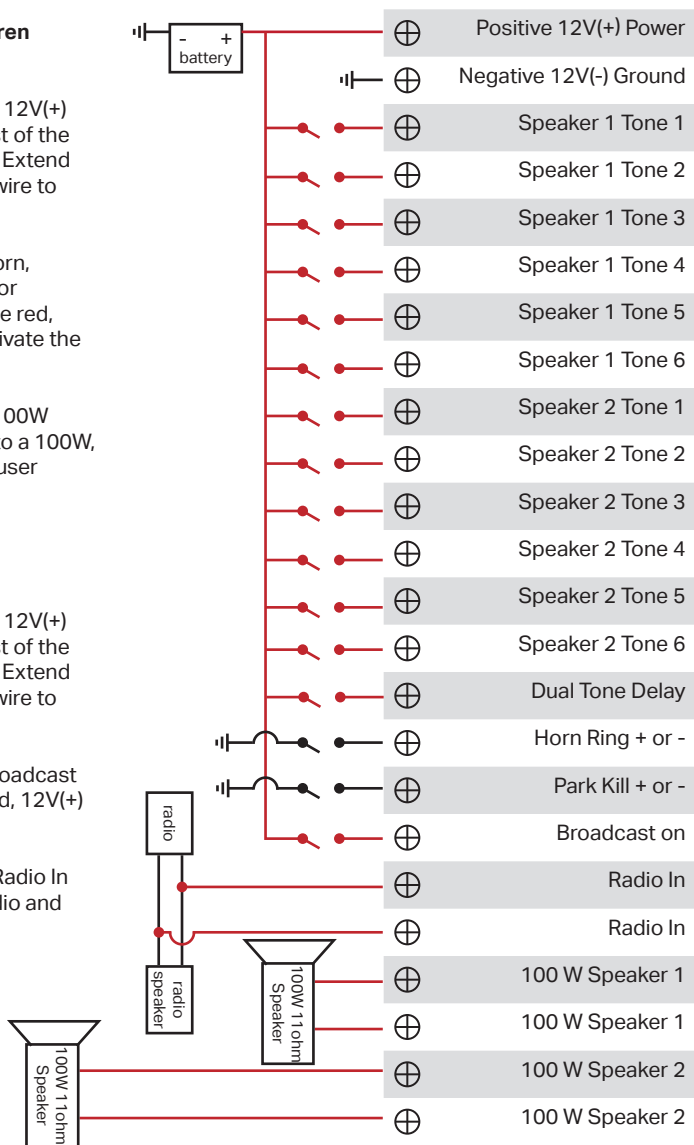
Depending on the device, this could be the positive or negative (see page 9 for adjusting the power input).

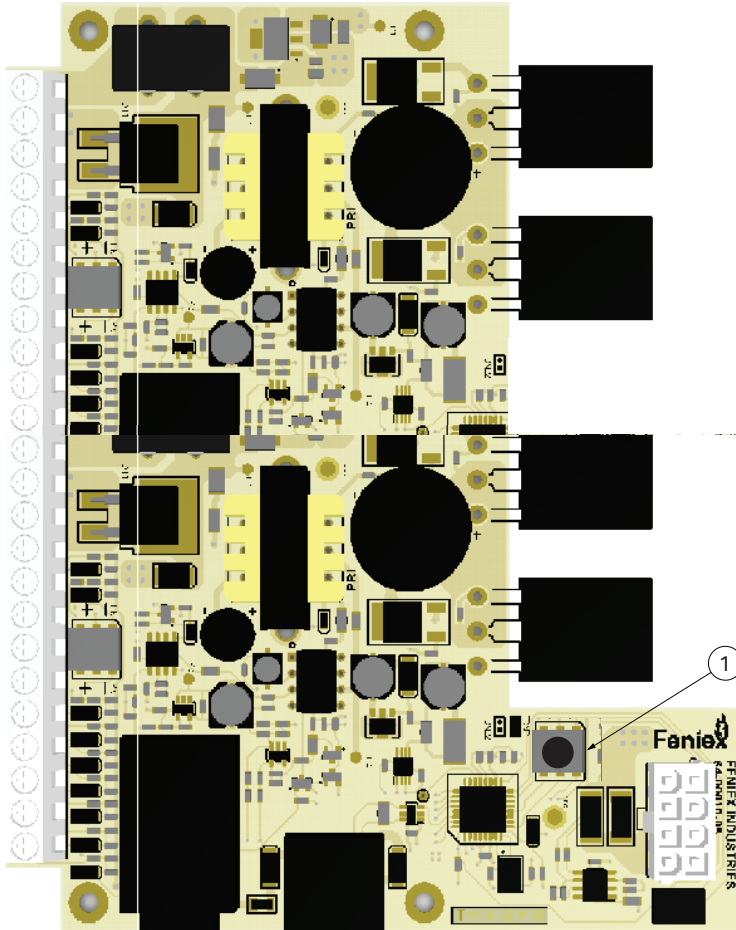
Activating the Siren Tones:

1. Extend the red, 12V(+) wire to the (+) post of the vehicle's battery. Extend the black, 12V(-) wire to ground.
2. Connect the Horn, Phaser, Yelp, and/or Wail outputs to the red, 12V(+) wire to activate the function(s).
3. Connect both 100W speaker outputs to a 100W, 11Ohm speaker (user provided).

Activating Radio Rebroadcast:

1. Extend the red, 12V(+) wire to the (+) post of the vehicle's battery. Extend the black, 12V(-) wire to ground.
2. Connect the Broadcast On input to the red, 12V(+) wire to activate.
3. Connect both Radio In outputs to the radio and speaker wires.





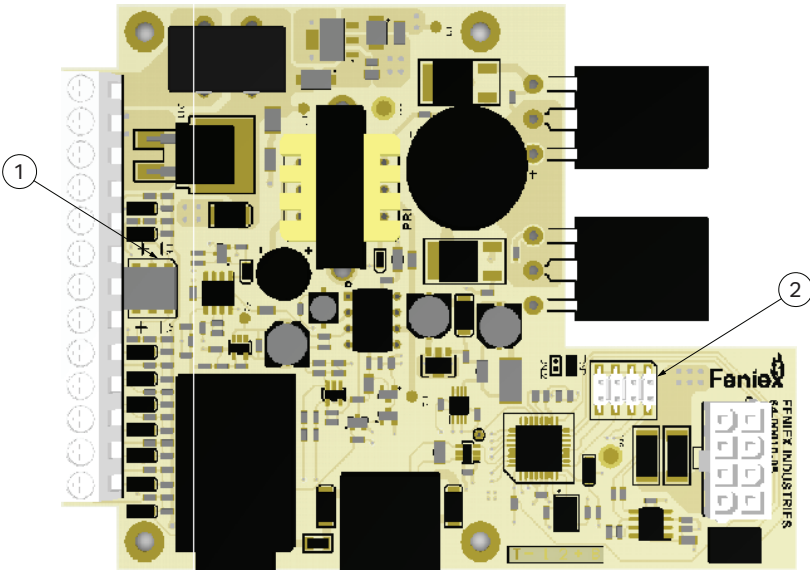
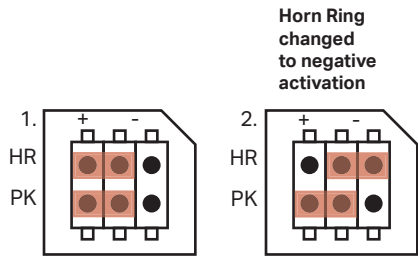
1. Switching Tones

Step 1: Activate the desired port by connecting 12V(+) to the terminal block.

Step 2: Momentarily press the tack switch to cycle through 10 different emergency tones.

1. Horn Ring and Park Kill

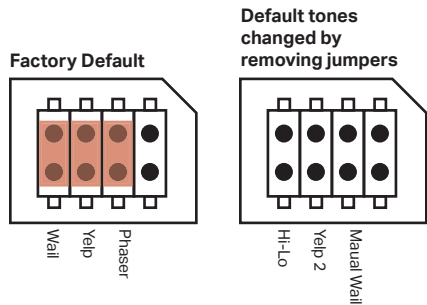
1. The factory default shows both jumper inputs (Horn Ring and Park Kill) set to positive activation.
2. To set the input power to the negative activation, move one or both jumper positions over to the right as shown.



2. Siren Tones

As shown, the factory default tones are Wail, Yelp, and Phaser with the jumper preconnected on each port.

To change any of the tones on each port, remove the jumper for the tone you wish to change to:



Default Tone:	Secondary Tone:
Wail	Hi-Lo
Yelp	Yelp 2
Phaser	Manual Wail