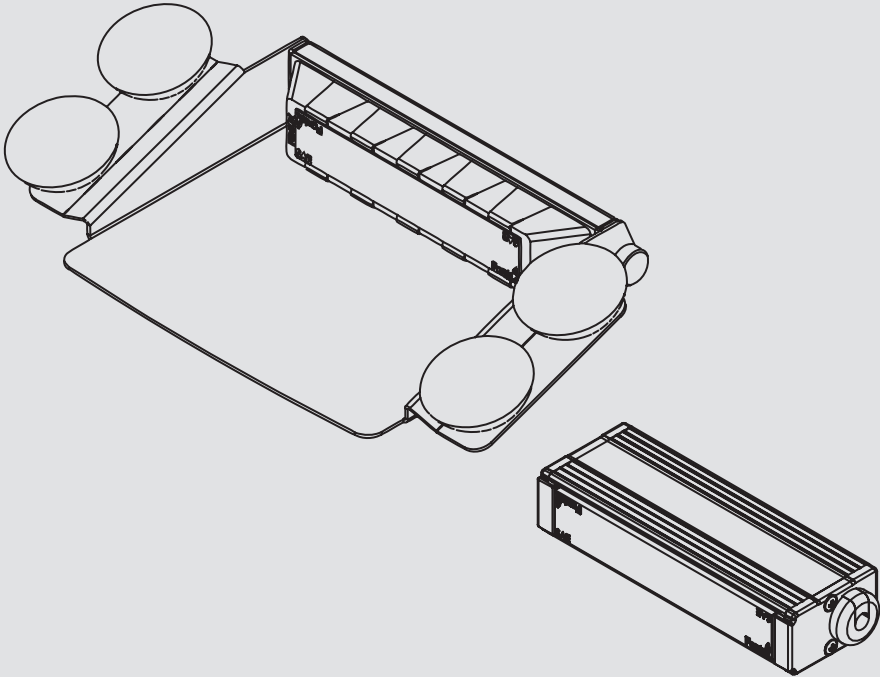


Cobra Series- Instruction Manual

V.3



COBRA

**Model # - D-20109-1X, D-20215-2X,
D-20109, D-20209, D-20409,
D20609, D-20809, D-21015,
D-20119, D-21109**

This instruction manual serves as a guide for the **Cobra Series**.

IMPORTANT! Please read through all provided instructions and any listed warnings in regards to product use.



Fenix Product Copyrights This price List and the mentioned Fenix products include or describe copyrighted Fenix material. Laws in the United States and other countries preserve for Fenix Industries and its licensors certain exclusive rights for copyrighted material, including the exclusive right to copy, reproduce in any form, distribute and make derivative works of the copyrighted material. Accordingly, any copyrighted material of Fenix and its licensors contained herein or in the Fenix products described in this Price List may not be copied, reproduced, distributed, merged or modified/transmitted, transcribed, stored in retrieval system or translated into any language or computer language in any form or by any means, without prior written permission of Fenix Industries, Inc.. Fenix and the stylized Fenix logo are registered in the U.S. Patent & Trademark Office.

Safety Regulations	3
Warranty	3
Service after Expiration.....	3
Copyright	3
Feniex Product Copyright.....	3
Equipment Dimensions	4
Wiring Diagrams	
Cobra™ 100, 200, 1X, 2X.....	5
Cobra™ 400, 600, 800 & Rocker Panel.....	6
Wiring Instructions	7
Replacing Modules	8
Mounting & FAQ	9
Flash Patterns	10

Safety Regulations

The following provides all the information necessary to safely operate the previously listed products of Feniex Industries, Inc. Please read this manual thoroughly before installing or operating your new product in order to prevent any damage or injury. Failure to follow the listed instructions in this manual may result in damage to your products or personal injury.

- Proper installation of this product requires good knowledge of automotive systems, electronics and procedures.
- Please guarantee all vital components of the vehicle are not in danger of being damaged by drilling holes necessary for installation. Check all sides of the mounting surface before drilling any holes into the vehicle.
- Do not install this product in any way that interferes with the deployment of the air bag. Doing so may damage the effectiveness of the air bag and can lead to serious personal and vehicle injury. The installer will assume full responsibility of proper installation of the new unit.
- Please clean the mounting surface before installation of the unit when using tape, brackets, magnet, Velcro or suction cups.
- The product's ground wire must be connected directly to the Negative (-) battery post for effective use of the unit. Please follow all wiring guidelines provided to guarantee long lifespan and productivity. Failing to follow these instructions may result in damage to the product.

Warranty

Feniex Industries, Inc. warrants to the original purchaser that the product shall be free from defects in material and workmanship for sixty (60) months from the date of purchase for all LED products. Feniex Industries warranties speakers, sirens and controllers for 24 months; switches and flashers for 12 months.

If a warranty problem occurs, please contact customer support at 1.800.615.8350 or visit the web site at www.Feniex.com. If the product needs to be returned for repair or replacement, call our customer support line to receive a return merchandise authorization number.

Operational times are from 10 a.m. to 5 p.m. central time, Monday through Friday. Please do not send in product without contacting support first for a RMA number.

Service After Expiration

Feniex Industries will still provide service for all products after expiration of the warranty. For any issues, call the customer support line. In some instances it may be necessary for the product to be shipped, freight prepaid and insured for loss or damage to Feniex headquarters.

Warning! Utilizing non-factory screws and mounting brackets may result in loss of warranty coverage.

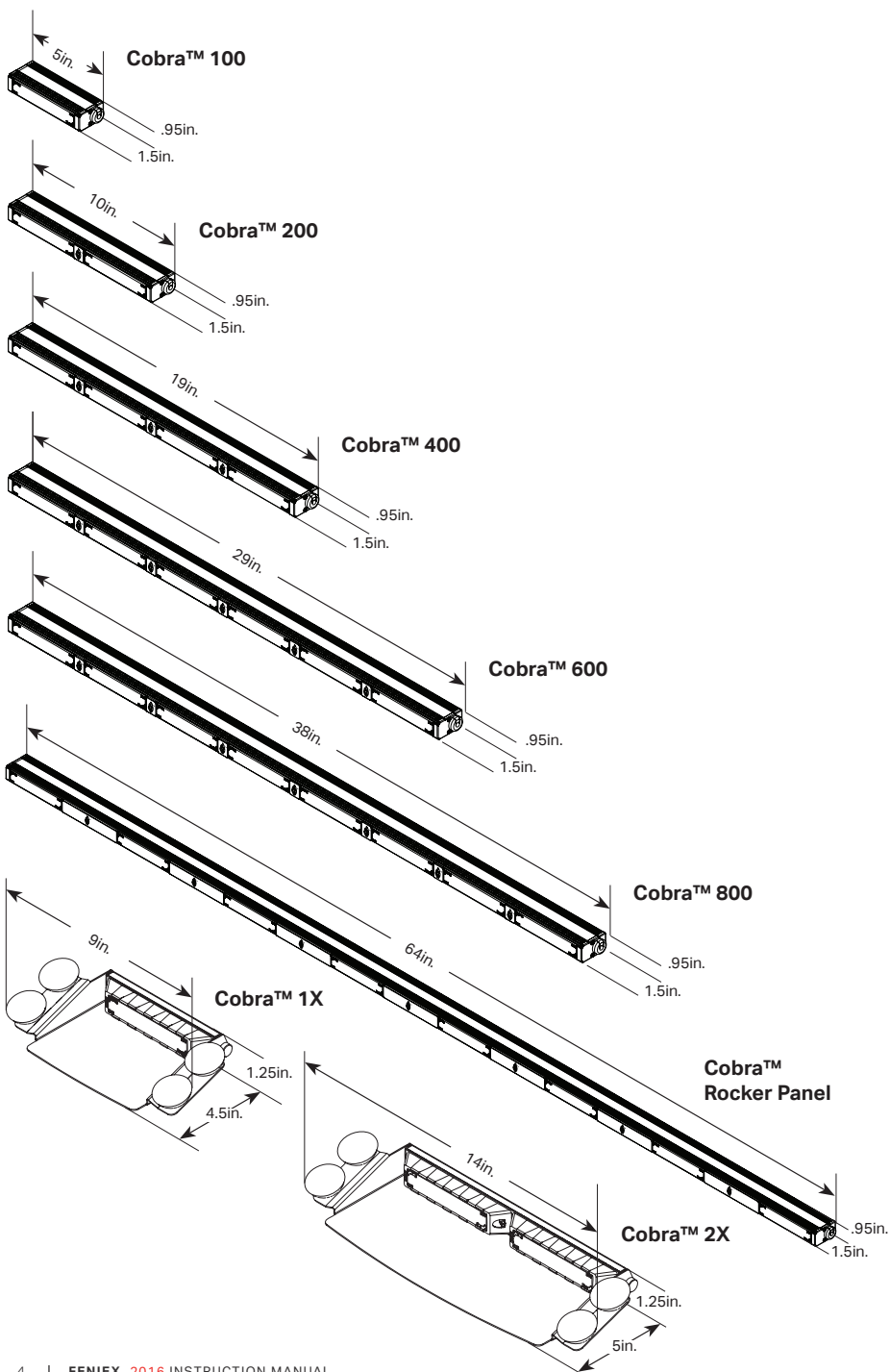
Copyright

This instruction manual and the Feniex products described in this instruction manual may include or describe copyrighted Feniex material. Laws in the United States and other countries preserve for Feniex Industries and its licensors certain exclusive rights for copyrighted material, including the exclusive right to copy, reproduce in any form, distribute and make derivative works of the copyrighted material. Accordingly, any copyrighted material of Feniex and its licensors contained herein or in the Feniex products described in this instruction manual may not be copied, reproduced, distributed, merged or modified in any manner without the express written permission of Feniex Industries, Inc.

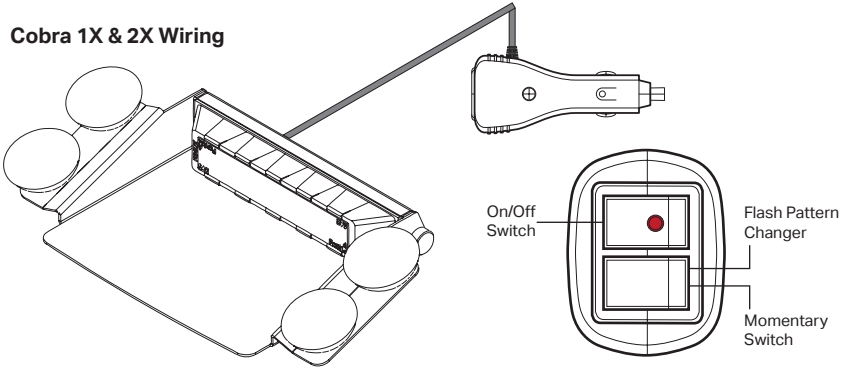
Feniex Product Copyrights

The products described in this document are the property of Feniex Industries, Inc. It is furnished by express license agreement only and may be used only in accordance with the terms of such an agreement. Products and documentation are copyrighted materials. Making unauthorized copies is prohibited by law. No part of the product or documentation may be reproduced, transmitted, transcribed, stored in retrieval system or translated into any language or computer language, in any form or by any means, without prior permission from Feniex Industries, Inc.

Equipment Dimensions



Cobra 1X & 2X Wiring



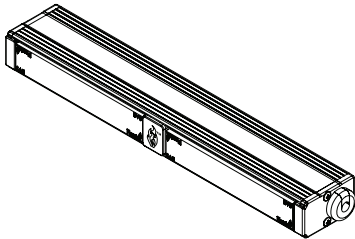
To operate the cigarette plug option, plug in the provided lighter plug into the vehicle's cigarette lighter plug outlet. Turn the unit on with the On/Off switch and change patterns with the momentary flash pattern changer.

Cobra 1X & 2X Hardwire Option

Wire Color:	Function:
Black	Negative 12V (-) Ground
Red	Positive 12V (+) Power
Green	Flash Pattern Changer

Please Note! The Cobra 1X and 2X models allow for a cigarette plug or hardwire option. The cigarette plug features an on/off switch and a flash pattern changer switch.

Cobra 100 & 200 Wiring



To operate the hard wire option, connect the black, 12V(-) wire to ground and the red, 12V(+) wire to an activated switch. To change patterns, tap the green flash pattern changer wire to the 12V(-) ground wire.

Cobra 100 & 200 System Specification

Wire Color:	Function:
Black	Negative 12V (-) Ground
Red	Positive 12V (+) Power
Green	Flash Pattern Changer

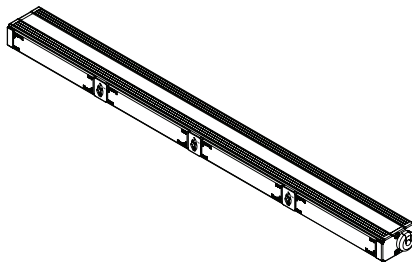
Please Note! The Cobra 100 and 200 features three wires: Red [12V+], Black [12V-], and Green [Flash Pattern Changer]. To change patterns, momentarily connect the green wire to the activated Black [12V-] wire.

400, 600, 800, 1000 & Rocker Wiring Diagram

Cobra 400 Wiring

To operate the hard wire option, connect the black, 12V(-) wire to ground and the red, 12V(+) wire to an activated switch.

To turn the Cobra lighthead on, connect the white wire to a 12V(+) switch. To change patterns, tap the green flash pattern changer wire to the 12V(+) wire.



Cobra 400 System Specification

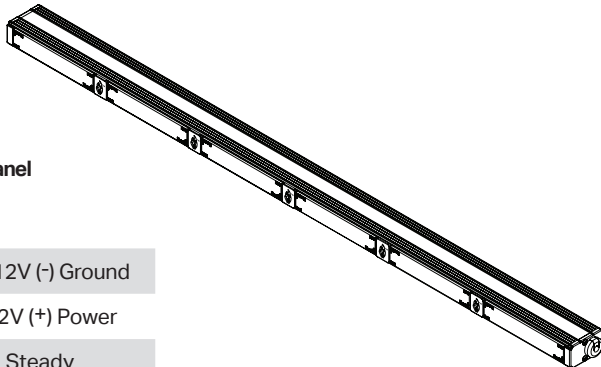
Wire Color:	Function:
■ Black	Negative 12V (-) Ground
■ Red	Positive 12V (+) Power
□ White	On Wire
■ Green	Flash Pattern Changer

Important! The Cobra 100, 200, and 400 do not include directional or takedown functionality.

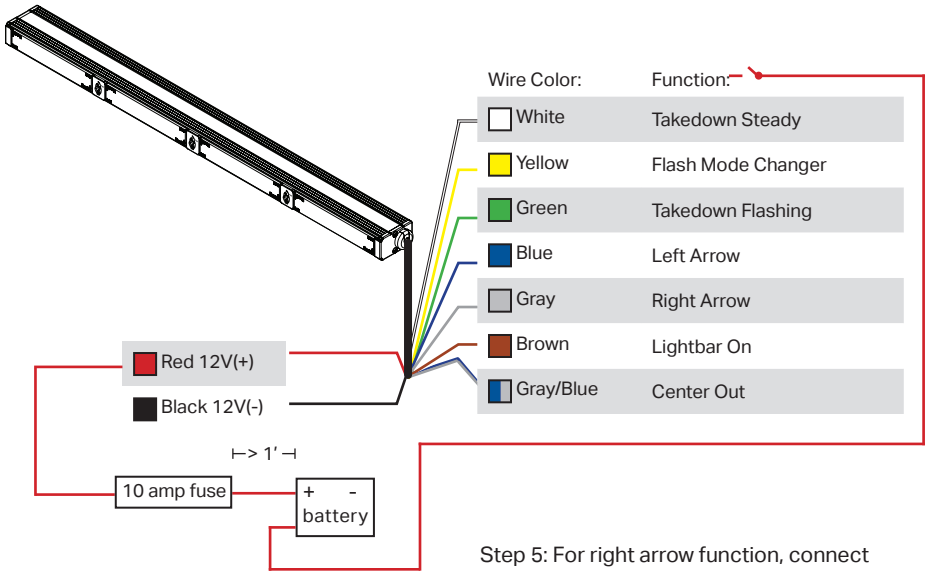
Cobra 600, 800, 1000 & Rocker Panel Wiring

Cobra 600, 800 & Rocker Panel System Specification

Wire Color:	Function:
■ Black	Negative 12V (-) Ground
■ Red	Positive 12V (+) Power
□ White	Takedown Steady
■ Yellow	Flash Mode Changer
■ Green	Takedown Flashing
■ Blue	Left Arrow
□ Gray	Right Arrow
■ Brown	Lightbar On
■ Blue/Gray	Center Out



Important! Do not wire this unit to an alternative power supply, such as AC to DC converters. Wire only as instructed. The red (+) wire should connect only to the vehicle's battery or to a 12V(+) switch post. Failure to do so may damage the unit and will void warranty.



Step 1: In order to activate the unit, extend the red wire to the 12V(+) post of the vehicle's battery. Extend the black wire to the ground post of the battery.

Step 2: To turn the Cobra lighthead on, connect the brown wire to a 12V(+) switch.

Step 3: To change flash patterns, momentarily connect the yellow wire on a 12V(+) source.

Step 4: For left arrow function, connect the blue wire to a 12V(+) post (switch). There are 7 different left arrow flash patterns. To select a directional pattern, engage the blue wire to a 12V(+) source and momentarily connect the yellow wire on a 12V(+) source.

Please Note! This only applies if there are takedown functions programmed. Please note that the takedown steady function will override the takedown flashing mode.

Step 5: For right arrow function, connect the gray wire to a 12V(+) post (switch). There are 7 different right arrow flash patterns. To select a pattern, engage the gray wire to a 12V(+) source and momentarily connect the yellow wire on a 12V(+) source.

Step 6: In order to achieve a center out directional pattern, connect both the gray and blue wires to a 12V(+) post (switch). There are 7 different center out flash patterns. To select a pattern, engage the blue and gray wire to a 12V(+) source and momentarily connect the yellow wire on a 12V(+) source.

Step 7: For takedown steady functionality, connect the white wire to a 12V(+) post (switch) or connect the green wire to a 12V(+) post to engage takedown flashing mode.

Important! Don't wire unit to an alternative power supply like AC to DC converters. Wire only as instructed. The red (+) wire should only connect to the vehicle's battery or to a 12V(+) switch post. Failure to do so may damage the unit and will void warranty.

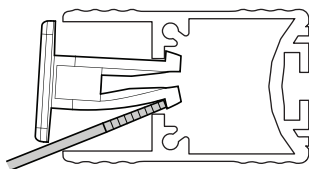
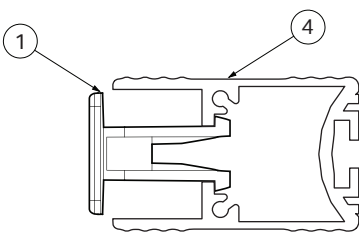
Important! These instructions only apply to the Cobra 400, 600, 800 and 1000.

Step 1: If you have a Rocker removed the 2 screws in the clip. Using a 3.0 mm flat head screwdriver, remove the connector clip [part #1] on both sides of the LED module [part #2] to be replaced. Angle the flat head at a 45° angle and apply pressure at one end of the clip and remove from the frame.

Step 2: Disconnect the LED module from the driver by detaching the female connector of the module from the male connector [part #3] of the driver.

Step 3: Reconnect the new LED module to the driver by attaching the female connector of the module to the male connector of the driver. Place the module back into the frame.

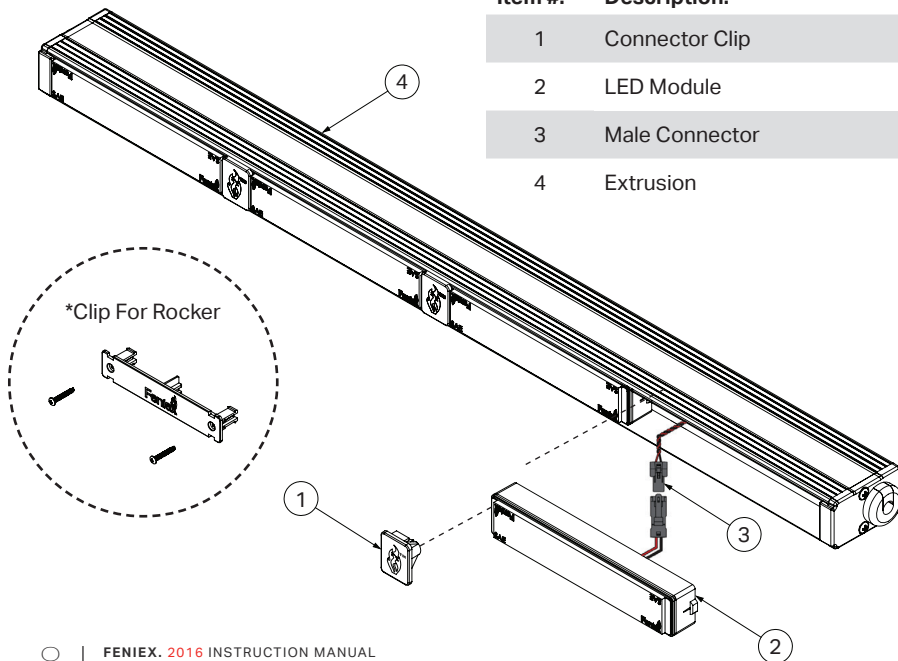
Step 4: Insert the connector clip back in its original position and clip it back into place by angling the flat head at a 45° angle and applying pressure at one end of the clip to pop it back into place.



Important! Place the wires securely inside the aluminum extrusion to ensure no wires from the driver or module are pinched. Failure to do so may void the warranty.

Item #: Description:

- 1 Connector Clip
- 2 LED Module
- 3 Male Connector
- 4 Extrusion

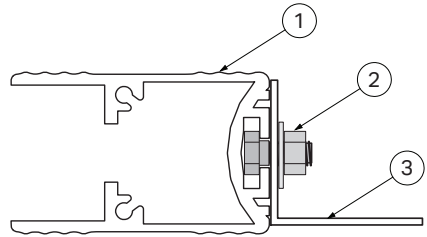


Step 1: To mount to bracketry, remove the flat endcap and slide in provided bolts in the back of the frame. Screw the flat endcap back into the aluminum extrusion with the original screws and attach bolts and nuts with the brackets.

Step 2: Mark the areas where the mounting holes will be drilled. If mounting surface is part of the vehicle, make sure no vital components could be damaged by the drilling process.

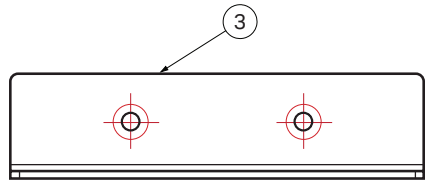
Step 3: Drill two mounting holes in the marked surface. If wires need to pass through vehicle, drill a 0.5" diameter hole for wire passage. Make sure to deburr holes thoroughly.

Step 4: Pass the wires through the 0.5" diameter hole, and secure the lighthead to the mounting surface with the provided hardware.



Item #: Description:

1	Cobra Extrusion
2	Mounting Hardware
3	Mounting Bracket



FAQ

Can I get a hardwire harness for my Cobra 1X or 2X?

The Cobra 1X and 2X can be configured with either the cigarette plug or hardwire harness. Please reference page 5 for the Cobra 1X and 2X hardwire harness.

What fuses do I use with the Cobra LED series?

Use a 10 amp fuse with the Cobra models. Do not use more than 1 foot of wire between the fuse and the battery terminal to ensure wire protection.

How do I secure the Cobra 1X and 2X to my windshield?

Clean the surface where you intend to place the Cobra 1X or 2X and firmly press the suction cups against the windshield.

The flash patterns are listed in consecutive order of appearance. To select a certain flash pattern, start with a recognizable pattern and use the blue wire to cycle through patterns.

Flash Patterns: Cobra™ 100, 200, 400, 600, 800, 1000 & Rocker Panel

- 1 Brake Mode
- 2 Steady On
- 3 Single Slow
- 4 Single Fast
- 5 Single Combo
- 6 Double Slow
- 7 Double Fast
- 8 Double Combo
- 9 Triple Slow
- 10 Triple Fast
- 11 Triple Combo
- 12 Split Single Slow
- 13 Split Single Fast
- 14 Split Single Combo
- 15 Split Double Slow
- 16 Split Double Fast
- 17 Split Double Combo
- 18 Split Triple Slow
- 19 Split Triple Fast
- 20 Split Triple Combo