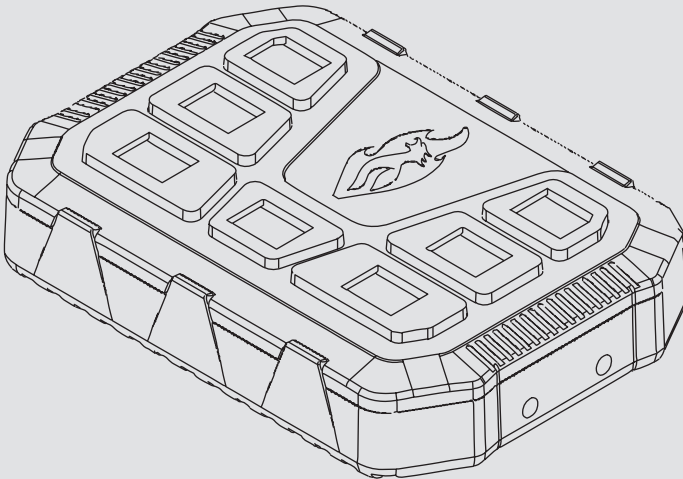


Mini 4200- Instruction Manual

V.2



MINI 4200

Model # - C-4010

This instruction manual serves as a guide for the **Mini 4200**.

IMPORTANT! Please read through all provided instructions and any listed warnings in regards to product use.



Fenix Product Copyrights This price List and the mentioned Fenix products include or describe copyrighted Fenix material. Laws in the United States and other countries preserve for Fenix Industries and its licensors certain exclusive rights for copyrighted material, including the exclusive right to copy, reproduce in any form, distribute and make derivative works of the copyrighted material. Accordingly, any copyrighted material of Fenix and its licensors contained herein or in the Fenix products described in this Price List may not be copied, reproduced, distributed, merged or modified, transmitted, transcribed, stored in retrieval system or translated into any language or computer language, in any form or by any means, without prior written permission of Fenix Industries, Inc. Fenix and the stylized Fenix logo are registered in the U.S. Patent & Trademark Office.

Safety Regulations	3
Warranty	3
Service after Expiration.....	3
Copyright	3
Feniex Product Copyright.....	3
Equipment Dimensions	4
Features & Specifications	5
Wiring Diagram	6
Mounting Installation	7

Safety Regulations

The following provides all the information necessary to safely operate the previously listed products of Feniex Industries, Inc. Please read this manual thoroughly before installing or operating your new product in order to prevent any damage or injury. Failure to follow the listed instructions in this manual may result in damage to your products or personal injury.

- Proper installation of this product requires good knowledge of automotive systems, electronics and procedures.
- Please guarantee all vital components of the vehicle are not in danger of being damaged by drilling holes necessary for installation. Check all sides of the mounting surface before drilling any holes into the vehicle.
- Do not install this product in any way that interferes with the deployment of the air bag. Doing so may damage the effectiveness of the air bag and can lead to serious personal and vehicle injury. The installer will assume full responsibility of proper installation of the new unit.
- Please clean the mounting surface before installation of the unit when using tape, brackets, magnet, Velcro or suction cups.
- The product's ground wire must be connected directly to the Negative (-) battery post for effective use of the unit. Please follow all wiring guidelines provided to guarantee long lifespan and productivity. Failing to follow these instructions may result in damage to the product.

Warranty

Feniex Industries, Inc. warrants to the original purchaser that the product shall be free from defects in material and workmanship for sixty (60) months from the date of purchase for all LED products. Feniex Industries warranties speakers, sirens and controllers for 24 months; switches and flashers for 12 months.

If a warranty problem occurs, please contact customer support at 1.800.615.8350 or visit the web site at www.Feniex.com. If the product needs to be returned for repair or replacement, call our customer support line to receive a return merchandise authorization number.

Operational times are from 10 a.m. to 5 p.m. central time, Monday through Friday. Please do not send in product without contacting support first for a RMA number.

Service After Expiration

Feniex Industries will still provide service for all products after expiration of the warranty. For any issues, call the customer support line. In some instances it may be necessary for the product to be shipped, freight prepaid and insured for loss or damage to Feniex headquarters.

Warning! Utilizing non-factory screws and mounting brackets may result in loss of warranty coverage.

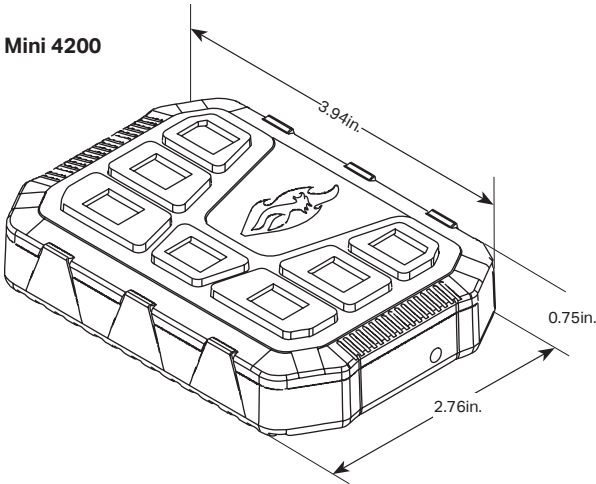
Copyright

This instruction manual and the Feniex products described in this instruction manual may include or describe copyrighted Feniex material. Laws in the United States and other countries preserve for Feniex Industries and its licensors certain exclusive rights for copyrighted material, including the exclusive right to copy, reproduce in any form, distribute and make derivative works of the copyrighted material. Accordingly, any copyrighted material of Feniex and its licensors contained herein or in the Feniex products described in this instruction manual may not be copied, reproduced, distributed, merged or modified in any manner without the express written permission of Feniex Industries, Inc.

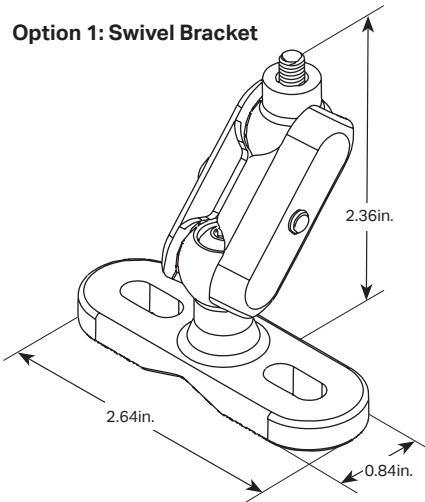
Feniex Product Copyrights

The products described in this document are the property of Feniex Industries, Inc. It is furnished by express license agreement only and may be used only in accordance with the terms of such an agreement. Products and documentation are copyrighted materials. Making unauthorized copies is prohibited by law. No part of the product or documentation may be reproduced, transmitted, transcribed, stored in retrieval system or translated into any language or computer language, in any form or by any means, without prior permission from Feniex Industries, Inc.

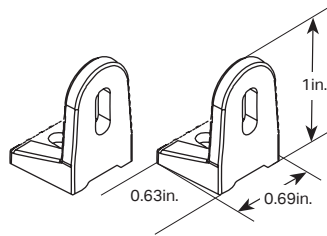
Mini 4200



Option 1: Swivel Bracket

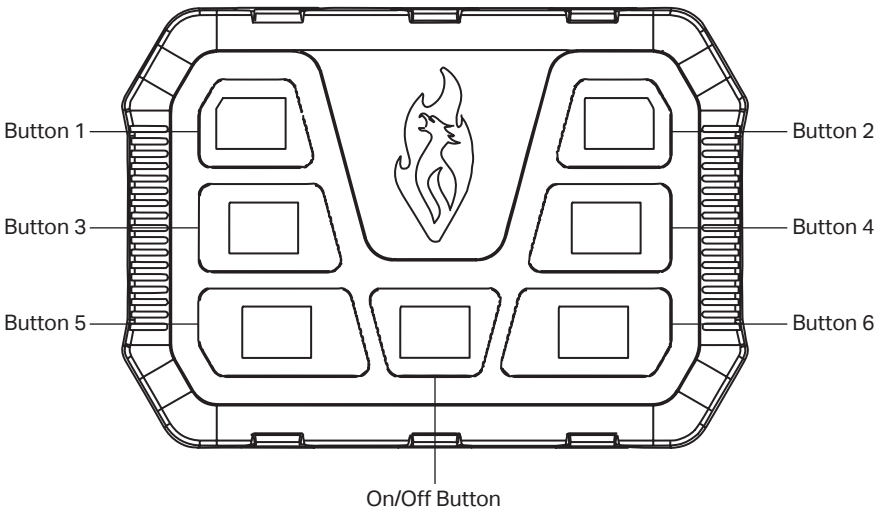


Option 2: L-Brackets

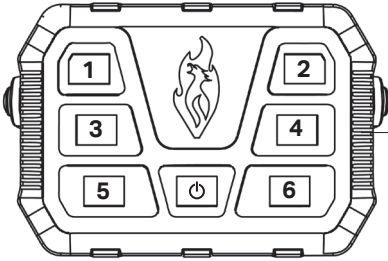


System Specification:

Operating Voltage:	12V DC
Max Power Output:	20A
Standby Power	10mA
Number of Outputs:	6
Output Power Rating:	3.5A
Feature 1:	Water Proof IP-67
Feature 2:	Back-lit LED Panel
Feature 3:	6 Built-in solid state relays
Feature 4:	Programmable on/off or momentary
Option 1 Mounting:	Swivel Bracket
Option 2 Mounting:	Surface Bracket
Button 1	Wig-Wag
Button 2	Wig-Wag



Wiring Diagram



Red wire= On: 12V (+)

Black wire= Ground 12V (-)

Green wire= Activated by switch 1

White wire= Activated by switch 2

Blue wire= Activated by switch 3

Yellow wire= Activated by switch 4

Brown wire= Activated by switch 5

Grey wire= Activated by switch 6

Programming Instructions:

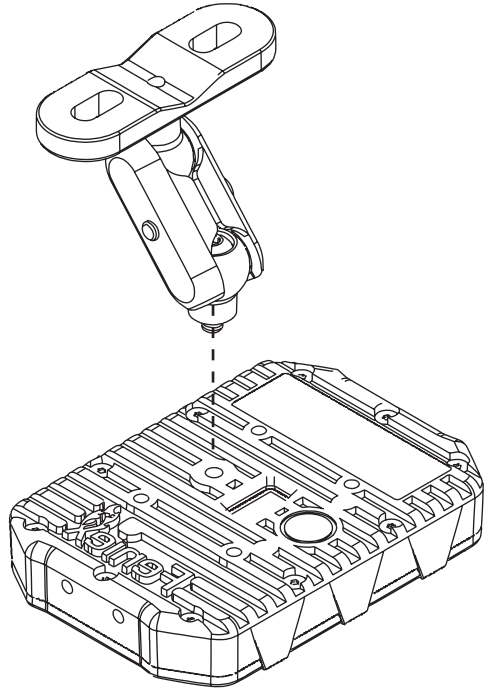
1.) Setting button as momentary:

- Press the "On/Off" button to turn the system off.
- Press and hold the desired button you wish to program as momentary.
- Continue holding the selected button while holding down the "On" button for 3 seconds. A beep will sound when programmed.
- The button is now set as a momentary button. To reverse the function, repeat the steps above.

2.) Setting wig-wag functionality:

- Press the "On/Off" button to turn the system off.
- Press and hold buttons 1 and 2 simultaneously.
- Continue holding buttons 1 and 2 while holding down the "On" button for 3 seconds. A beep will sound when programmed.
- You have now enabled button 1 as the "On/Off" for wig-wag and the button 2 as the pattern select.
- To reverse the functionality, repeat the steps above.

Option 1 Mounting: Swivel Bracket



1.) Secure the Swivel Ball to the base of the controller using the #10 screw.

2.) Attach the swivel ball to the swivel bracket base using the #10 screw.

3.) Using the #10 screw, secure the two clamps loosely together.

4.) Place the clamps and screw around the 2 swivel balls. Tighten the clamp screw, thereby attaching the swivel bracket base to the mini controller.

5.) Secure the Swivel Bracket to the rear of the controller (as shown in the diagram).

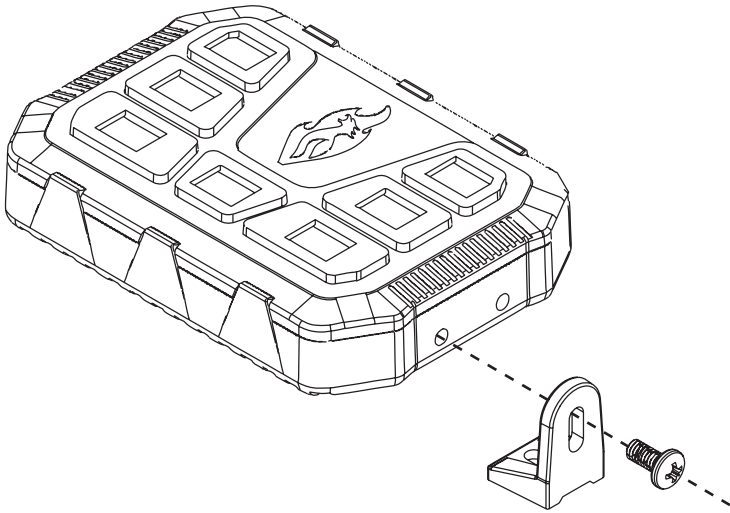
6.) Place the unit against the intended mounting surface.

7.) Mark the areas where the mounting holes will be drilled. If the mounting surface is part of the vehicle, make sure no vital components could be damaged by the drilling process.

8.) Drill two mounting holes on the mounting surface, making sure no vital components of the surface are damaged.

9.) Using customer provided screws, secure the Mini 4200 to the mounting surface.

Option 2 Mounting: L-Bracket



1.) Utilizing the provided screws, secure the L-Bracket to the side of the controller using a Phillips head screwdriver.

2.) Repeat Step 1 on the opposite side of the controller, so both sides have the L-Bracket securely connected.

3.) Place the unit against the intended mounting surface.

4.) Mark the areas where the mounting holes will be drilled. If the mounting surface is part of the vehicle, make sure no vital components could be damaged by the drilling process.

5.) Drill two mounting holes on the mounting surface, making sure no vital components of the surface are damaged.

6.) Using customer provided screws, secure the Mini 4200 to the mounting surface.