

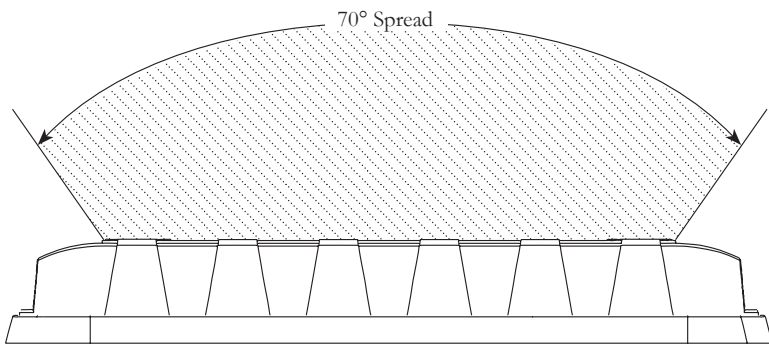
Installation and Operational Guide

This manual serves as a guide for the Cobra™ Surface Mount.

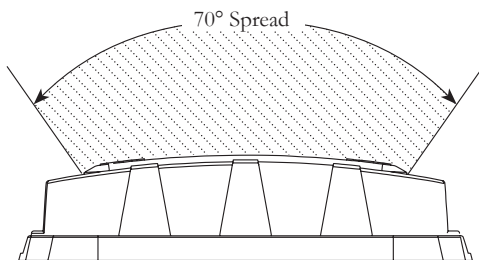
Mounting Instructions:

See illustration for mounting information

1. Place the unit against the selected mounting surface.
2. Mark the areas where the mounting holes will be drilled. If the mounting surface is part of the vehicle, make sure no vital components could be damaged by the drilling process.
3. Drill two mounting holes in the marked surface, as well as a 0.5" diameter hole for wire passage (if mounting on a vehicle). Make sure to deburr holes thoroughly.
4. Pass the wires through the 0.5" diameter hole, and secure the light head to the mounting surface with the provided hardware.



Cobra T6



Cobra T3

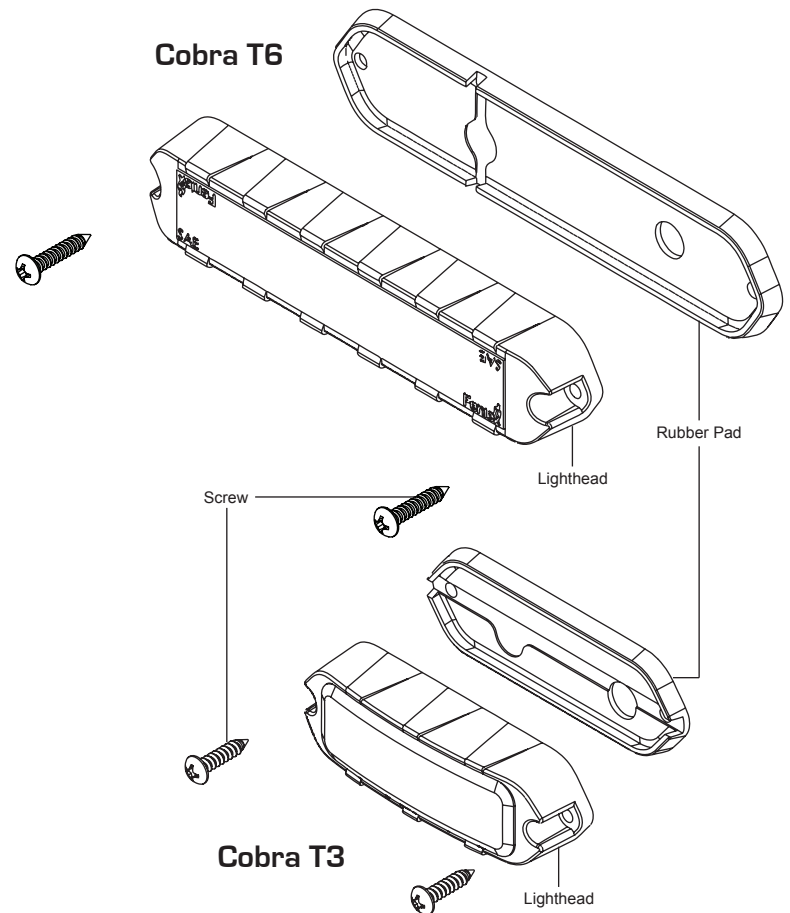
Alternate Light Heads:

D. Follow Steps A-B.

E. For the light heads to alternate, one light head must be set as master and the other as slave on the mode wire intended for use. To do so, hold the blue (flash pattern changer) wire to ground for 3 seconds. If all LEDs turn on this indicates master mode. If half the LEDs activate this indicates slave mode.

F. Follow Step C. Change patterns by tapping the blue wire to the activated black, ground wire.

Cobra T6



Cobra T3

Wiring Diagram

Note: Mode 2 overrides mode 1 and mode 3 overrides modes 2 and 1.

Wiring Instructions:

1. To power the unit, extend the red (+) wire to a 12V+ post. Extend the black (-) wire to the ground post of the vehicle's battery.
2. Momentarily tap the blue wire to the activated ground (12V-), source to cycle through the flash patterns.
3. Synchronization: To Sync two or more light heads together:
 - A. Apply 12V+ power to the red wire and apply 12V- to the black wire to turn unit on.
 - B. Cycle through all patterns by tapping the blue (flash pattern changer) wire to the activated black, ground wire until the steady burn pattern is selected.
 - C. Connect the red wires of the two light heads together; connect the black wires of the light heads together and then connect the blue wires of the light heads together.

Wire:	Function:
Red:	Positive
Black:	Negative, Ground
Blue:	Pattern Changer/Sync

Color: Red Blue Amber White Green